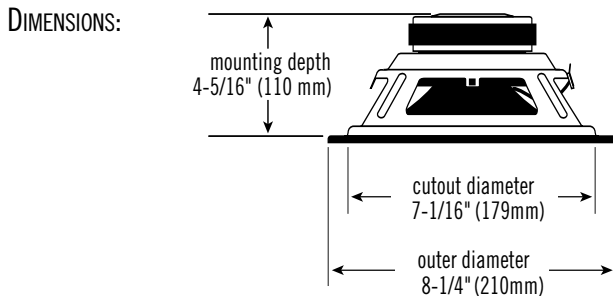


SPECIFICATIONS

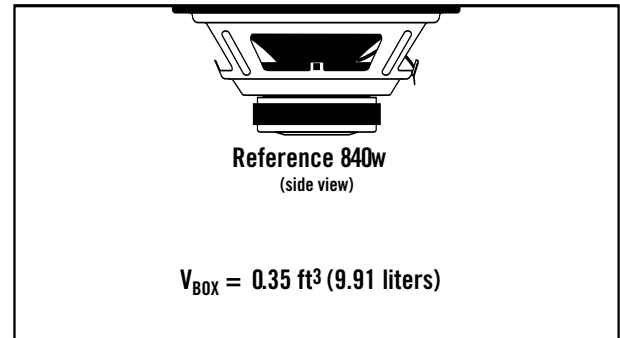
DIAMETER:	8" (200mm)
SENSITIVITY (2.83 V @ 1 m):	91 dB
POWER HANDLING:	200 W _{RMS} 800 W _{PEAK}
FREQUENCY RESPONSE:	30 ~ 400 Hz
NOMINAL IMPEDANCE:	4 OHMS
VOICE-COIL DIAMETER:	2.0" (51.0 mm)



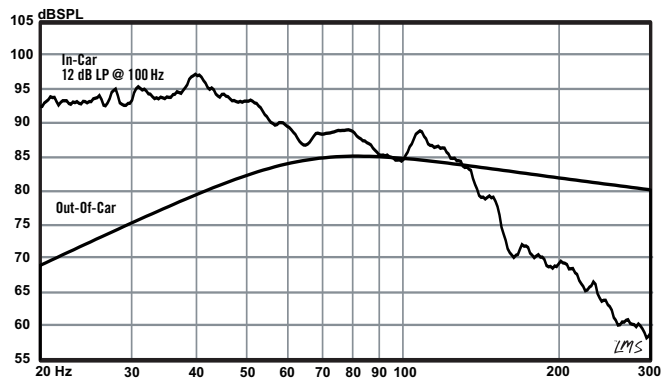
THIELE-SMALL PARAMETERS

VOICE COIL DC RESISTANCE:	R_{EVC} (OHMS)	3.49
VOICE COIL INDUCTANCE @ 1 kHz:	L_{EVC} (MH)	1.64
DRIVER RADIATING AREA:	S_D (IN ²)	33.17
	S_D (M ²)	214.00
MOTOR FORCE FACTOR:	BL (TM)	12.69
COMPLIANCE VOLUME:	V_{AS} (FT ³)	0.61
	V_{AS} (LITERS)	17.38
SUSPENSION COMPLIANCE:	C_{MS} (μM/N)	265.64
MOVING MASS, AIR LOAD:	M_{MS} (GRAMS)	114.80
MOVING MASS, DIAPHRAGM:	M_{MD} (GRAMS)	113.00
FREE-AIR RESONANCE:	F_S (Hz)	28.80
MECHANICAL Q:	Q_{MS}	6.03
ELECTRICAL Q:	Q_{ES}	0.450
TOTAL Q:	Q_{TS}	0.42
MAGNETIC-GAP HEIGHT:	H_{AG} (IN)	3/8
	H_{AG} (MM)	9.00
VOICE-COIL HEIGHT:	H_{VC} (IN)	1-1/4
	H_{VC} (MM)	32
MAXIMUM EXCURSION:	X_{MAX} (IN)	7/16
	X_{MAX} (MM)	11.50

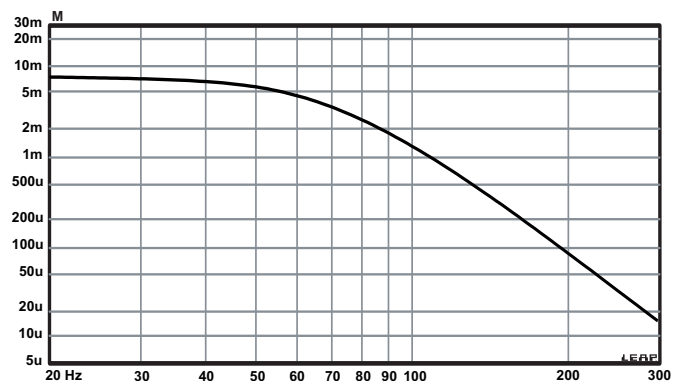
SEALED BOX VOLUME (INCLUDES DRIVER DISPLACEMENT)



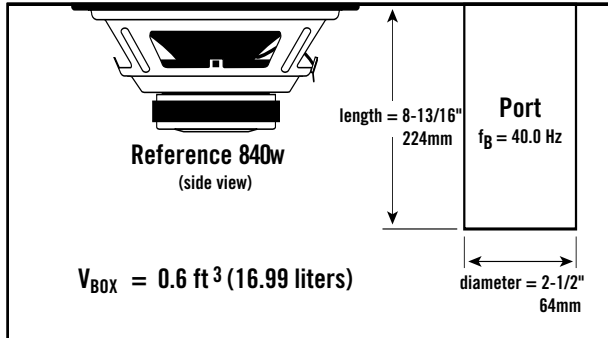
SEALED ENCLOSURE FREQUENCY RESPONSE @ 2.83 V



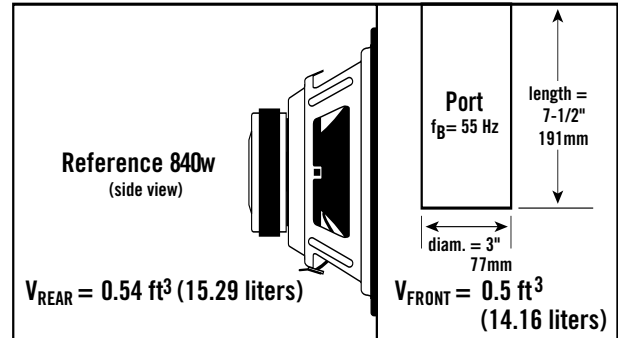
SEALED ENCLOSURE CONE EXCURSION @ 200 W



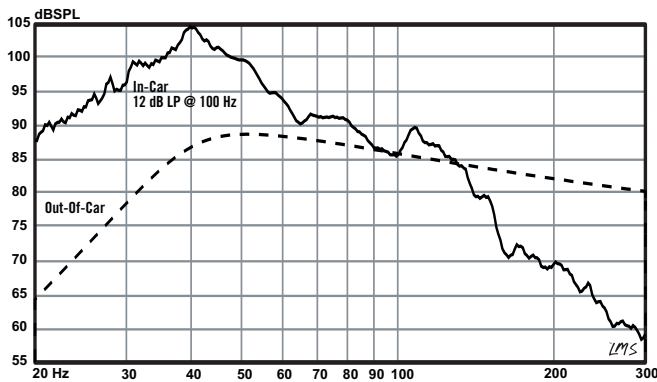
**VENTED BOX VOLUME
(INCLUDES DRIVER/PORT DISPLACEMENTS)**



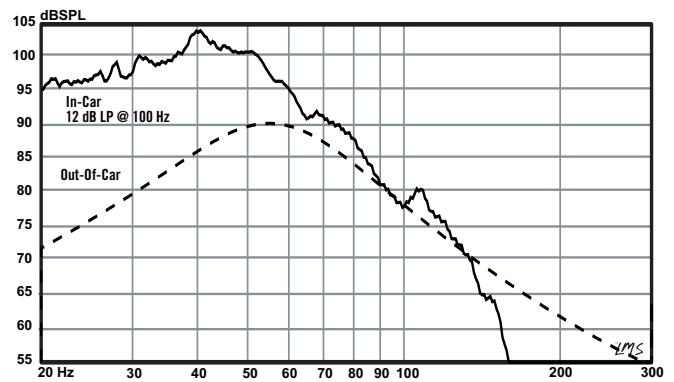
**BANDPASS BOX VOLUME
(INCLUDES DRIVER/PORT DISPLACEMENTS)**



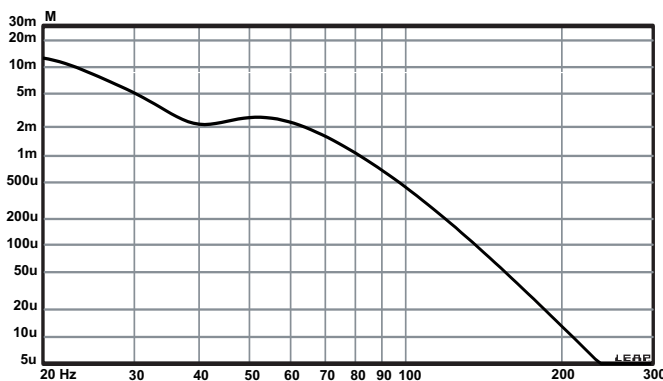
**VENTED ENCLOSURE
FREQUENCY RESPONSE @ 2.83 V**



**BANDPASS ENCLOSURE
FREQUENCY RESPONSE @ 2.83 V**



**VENTED ENCLOSURE CONE
EXCURSION @ 200 W**



**BANDPASS ENCLOSURE CONE
EXCURSION @ 200 W**

